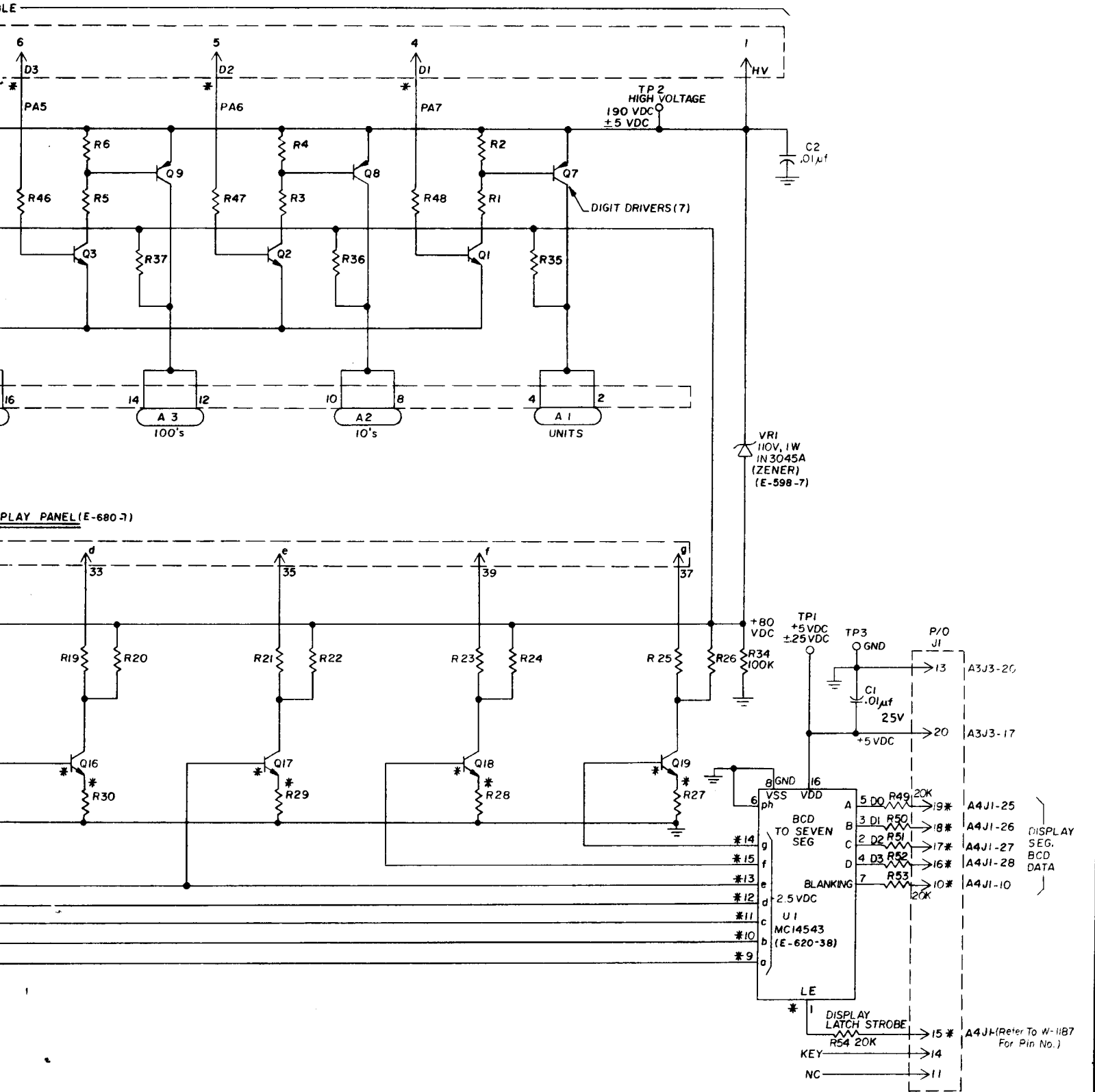


\* INDICATES "Aid" TEST POINT.

NOTES:

1. UNLESS OTHERWISE SPECIFIED ALL RESISTORS ARE  $\pm 5\%$ ,  $\frac{1}{4}$  W.
2. PREFIX ALL REFERENCE DESIG. WITH ASSEMBLY REFERENCE DESIG. "A 1".

DEPT.	DESCRIPTION	TOOL NO.



PLAY PANEL (E-680-3)

ALL DESIGN, OPERATIVE AND PROCESS DATA PERTAINING TO THE ARTICLE SHOWN ON THIS SHEET IS THE PROPERTY OF BALLY MFG. CORP. CHICAGO, ILL. THIS INFORMATION IS DISCLOSED IN CONFIDENCE AND IS NOT TO BE COPIED, REPRODUCED, REVEALED TO OR APPROPRIATED BY OTHERS IN PART OR IN WHOLE, WITHOUT THE EXPRESS CONSENT OF THE OWNERS. THE PRINT IS LOANED AND MUST NOT BE USED IN ANY MANNER DETRIMENTAL TO THE INTEREST OF THE OWNERS, AND MUST BE RETURNED ON DEMAND.

**Bally MANUFACTURING CORP.**  
2640 BELMONT AVENUE  
CHICAGO, ILLINOIS #1210

DR. BY EFC DATE 6-18-60	DATE 6-18-60	PRINT CONTROL	DIE SIZE	C.C.	FT. PER M.	LBS. PER M.
CK. BY amer DATE 6-19-60	DATE 6-19-60	NAME	7 DIGIT DISPLAY BOARD SCHEMATIC "A1"		ASSEM. NO. USED	SCALE
AP'D BY	DATE	MATERIAL			AS-2518-58	
FINISH:		CODE			PART NO.	W-1184-2C
HARDENING:						

REMOVE ALL BURRS

TOLERANCES ON DIMENSIONS UNLESS OTHERWISE SPECIFIED  
FRACTIONS ± 0.08  
DECIMALS ± 0.03  
EXCEPT HOLE DIA'S  
ANGLES ± 1/2°

DO NOT SCALE DRAWING

NO.	LET.	CHANGE	DATE	BY