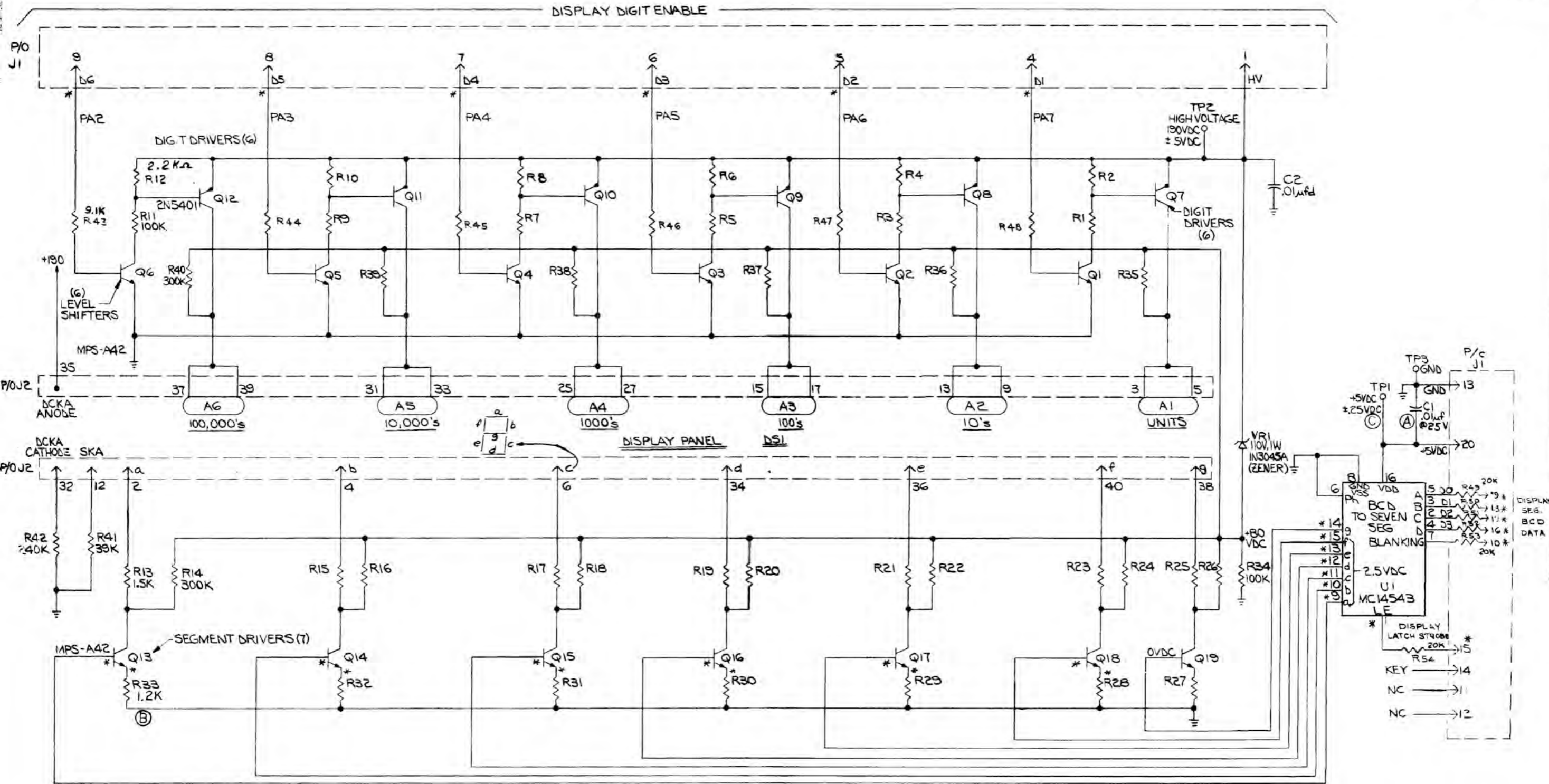


DISPLAY DIGIT ENABLE



- NOTES:
1. UNLESS OTHERWISE SPECIFIED ALL RESISTORS ARE $\pm 5\%$, 1/4W.
 2. PREFIX ALL REFERENCE DESIG. WITH ASSEMBLY REFERENCE DESIG. "A"
 3. * INDICATES 'AID' TEST POINT.

DIE SIZE — C.C. — FT. PER M — LBS. PER M —

ALL DESIGN, OPERATIVE AND PROCESS DATA PERTAINING TO THE ARTICLE SHOWN ON THIS SHEET IS THE PROPERTY OF BALLY MFG. CORP., CHICAGO, ILL. THIS INFORMATION IS DISCLOSED IN CONFIDENCE AND IS NOT TO BE COPIED, REPRODUCED, REVEALED TO OR APPROPRIATED BY OTHERS, IN PART OR IN WHOLE, WITHOUT THE EXPRESS CONSENT OF THE OWNER. THE PRINT IS LOANED AND MUST NOT BE USED IN ANY MANNER DETRIMENTAL TO THE INTEREST OF THE OWNER, AND MUST BE RETURNED ON DEMAND.

REMOVE ALL BURS		DE. BY: DS	DATE: 7-7-77	Bally MANUFACTURING CORP. #1120-E	
TOLERANCES UNLESS OTHERWISE SPECIFIED		CL. BY: DS	DATE: 7-8-77	2640 BELMONT AVENUE CHICAGO, ILLINOIS	
FRACTIONS: DECIMALS: ANGLES:		APP'D BY: DS	DATE: 10/14/77	MATERIAL: 6 DIGIT DISPLAY BOARD SCHEMATIC "A"	
DO NOT SCALE DRAWING		PRINT CONTROL: DS	DATE: 10/14/77	ASSM. NO. USED ON: AS-2518-21	
		FRIB: DS	DATE: 10/17/77	PART NO. W-1184-1c	

NO.	LET.	CHARGE	DATE	BY	CL.
3	C	WAS VAC	6-29-86	J.D.	
2	B	WAS 1K	9-28-80	J.D.	
1	A	WAS 500V	4-8-79	J.D.	